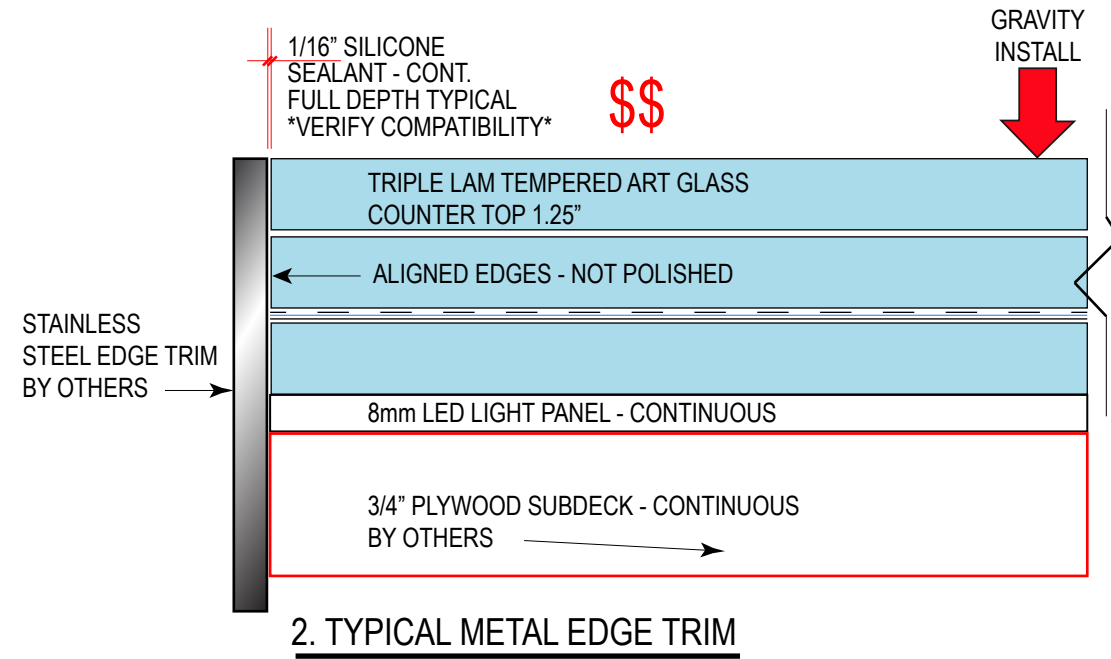
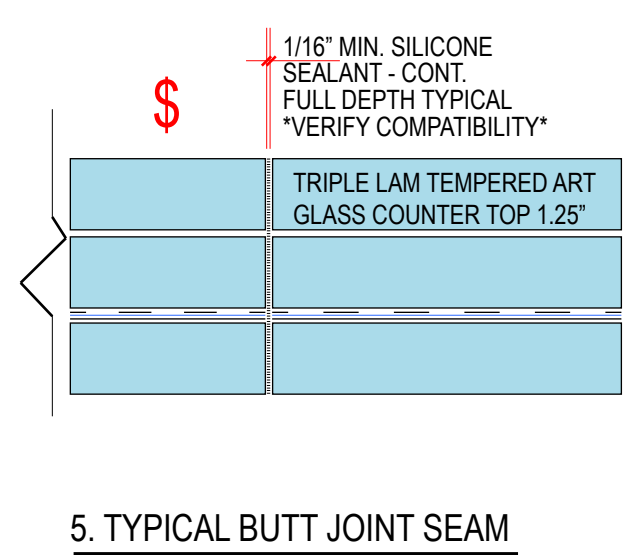


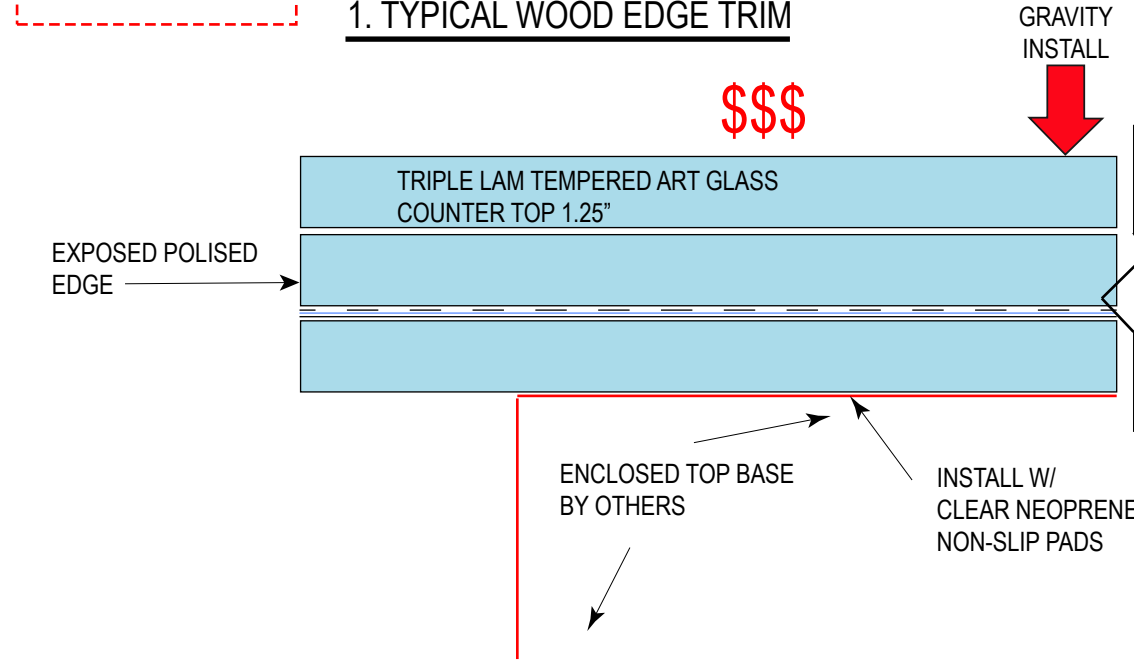
**1. TYPICAL WOOD EDGE TRIM**



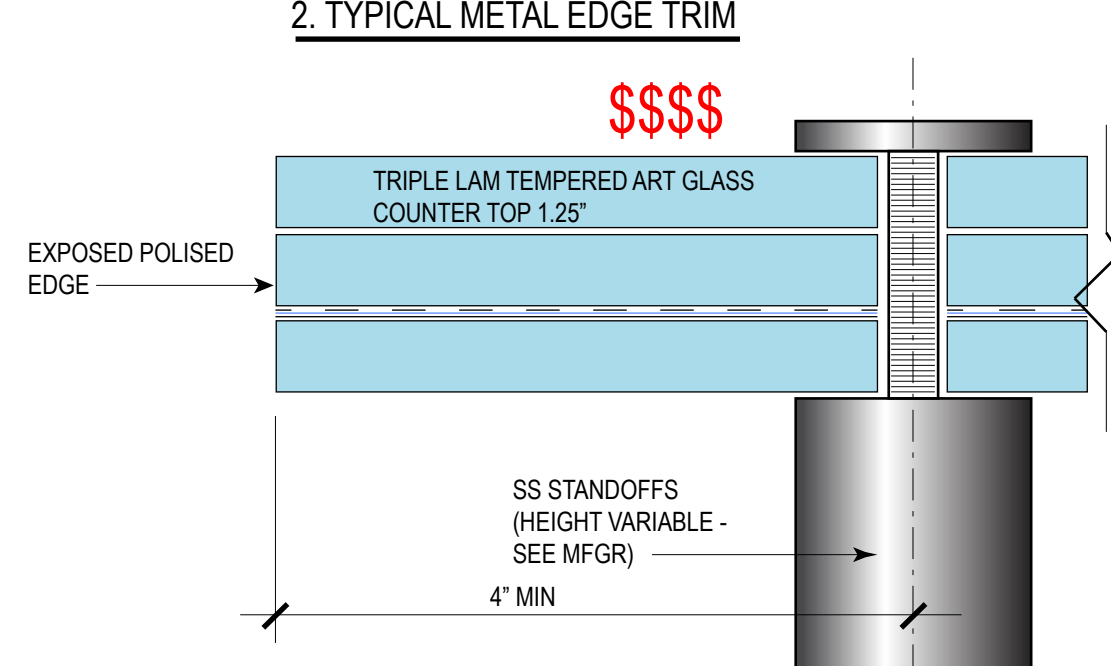
**2. TYPICAL METAL EDGE TRIM**



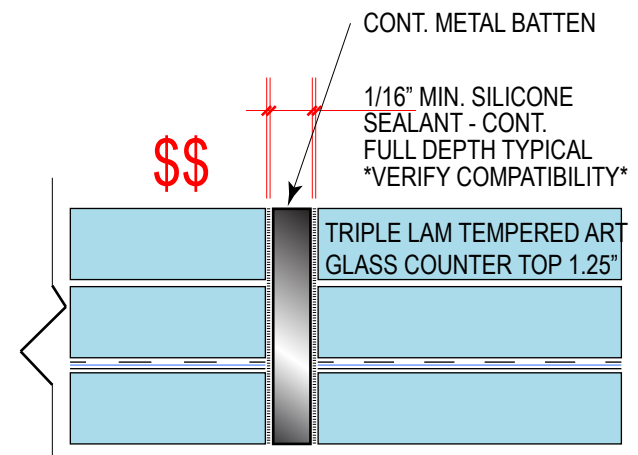
**5. TYPICAL BUTT JOINT SEAM**



**3. TYPICAL EXPOSED POLISHED EDGE - NO TRIM**



**4. TYPICAL STANDOFF MOUNT: EXPOSED POLISHED EDGE - NO TRIM**



**6. TYPICAL METAL BATTEN JOINT SEAM**

APPROVED: THIS FABRICATION DRAWING HAS BEEN REVIEWED FOR SIZES, QUANTITIES, DIMENSIONS, THICKNESSES AND LAYOUT. LIQUIDORANGES STUDIO, ITS OWNERS AND EMPLOYEES, VENDORS, AND FABRICATORS ARE NOT RESPONSIBLE FOR ANY FORESEEN AND UNFORESEEN ERRORS AND/OR OMISSIONS. THIS FABRICATION DRAWING IS DEEMED TO BE ACCURATE AND CORRECT.

CHANGES MADE - REVISE AND RESUBMIT: SIZES, QUANTITIES, DIMENSIONS, THICKNESSES AND/OR LAYOUT HAVE REVISIONS NOTED. REVISE AND RESUBMIT THIS FABRICATION DRAWING FOR APPROVAL.

CLIENT SIGNATURE \_\_\_\_\_ DATE: \_\_\_\_\_

**TYPICAL COUNTER TOP INSTALLATION OPTIONS**

SCALE: NONE



liquidoranges STUDIO, LLC  
www.liquidoranges.com

An Art Studio Creating Architectural Art Glass and Original Works

NOTES:  
1. NOT FOR USE IN WET AREAS.  
2. ALTERNATE: TWO LAYERS 3/8\"/>

SPECIAL:  
TEMPERED GLASS MARK  
 YES  NO

ISSUE	DATE	REV
INITIAL RELEASE	2613	0
UPDATE	122818	1

NOTICE: This document is an instrument of service. It contains confidential design and technology information protected by national and international intellectual copyright and property laws, © 2018 liquidoranges STUDIO, LLC - ALL RIGHTS RESERVED	
PROJECT NAME	
LO#	SHEET: SK-XX

NOT FOR FABRICATION